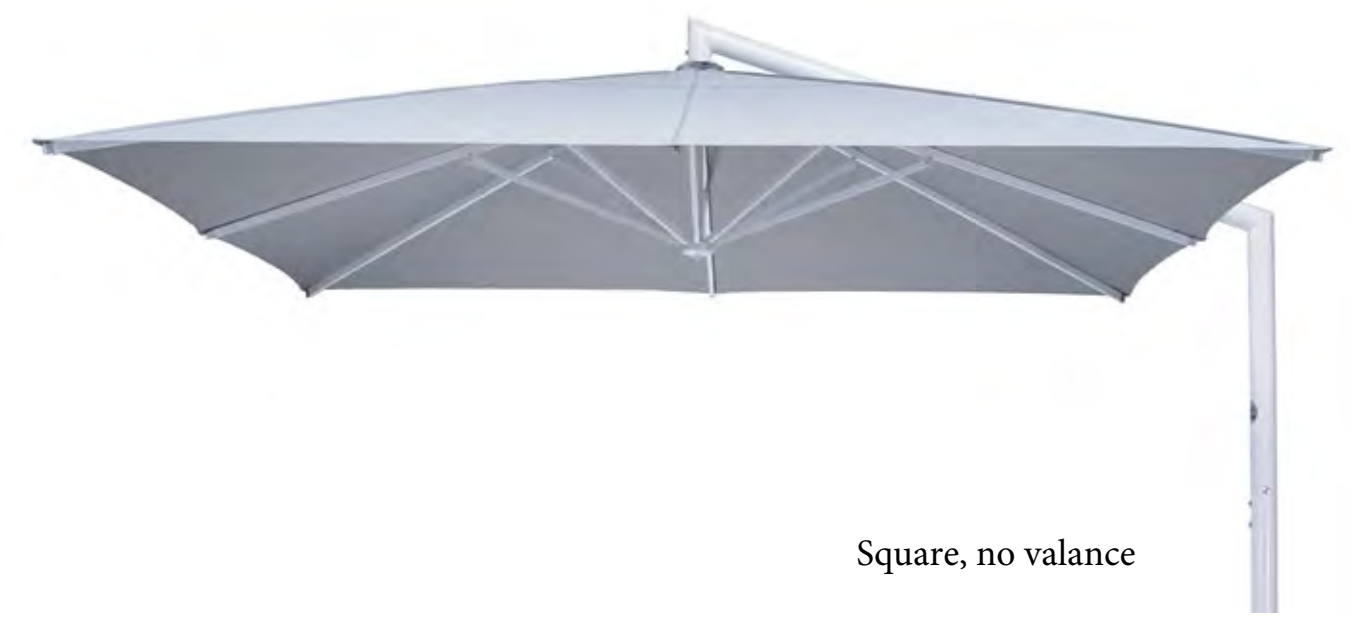




Octagonal, no valance



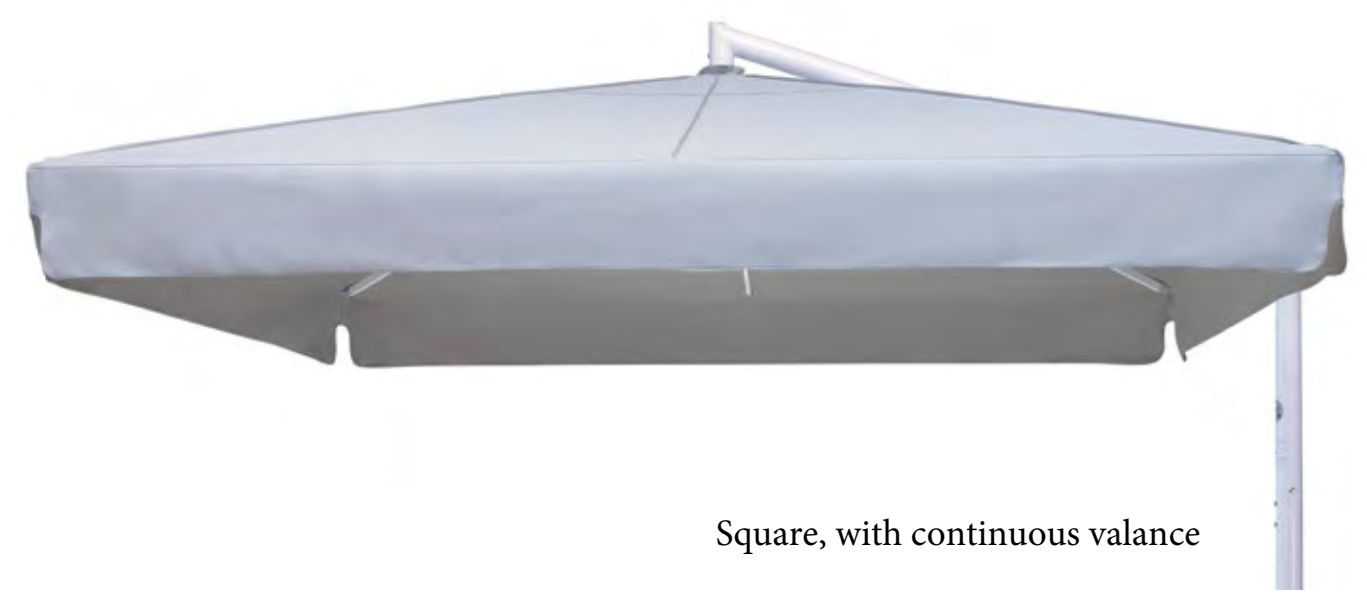
Square, no valance



Octagonal, with valance

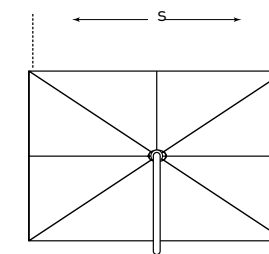
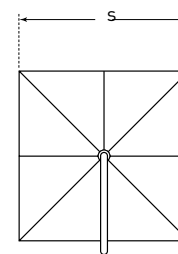
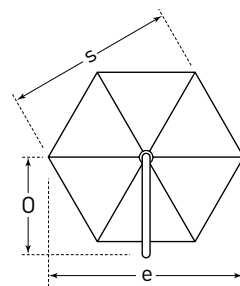


Square, with MULTI VENT



Square, with continuous valance

BORDEAUX - SIZES AND DATA



Bordeaux Octagonal		Single with 8 segments			
	m	Ø 3.0	Ø 3.5	Ø 4.0	Ø 4.5
Area	m ²	6.4	8.7	11.3	14.3
s	cm	260	300	345	387
O	cm	175	200	225	250
P Arc length	cm	155	190	215	240
Q	cm	15	15	15	15
R	cm	115	134	153	172
Weight without packaging MayTex-Acryl without valance	kg	27	29	31	33
Support pole diameter	mm	outer Ø 76, pole thickness 3			
Installation base length/width/min. depth	cm	50/50/60			
Minimum-ballast Number of layers of concrete slabs XZ50 required		1 x = approx. 112 kg			

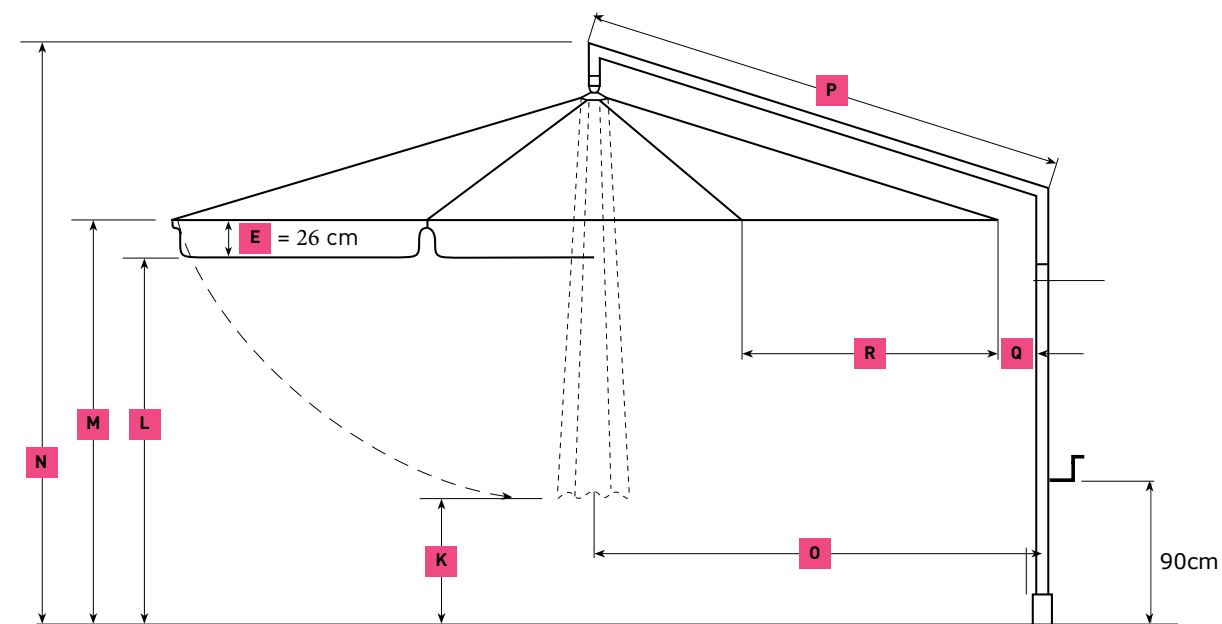
Bordeaux Square/Rect		Square with 8 segments					Rectangular with 8 segments			
	m	2.5 x 2.5	3.0 x 3.0	3.25 x 3.25	3.5 x 3.5	4.0 x 4.0	2.0 x 3	2.5 x 3.5	3.0 x 4.0	3.5 x 4.5
Area	m ²	6.25	9	10.6	12.3	16	6	8.8	12	15.6
s	cm	250	300	325	350	400	200 / 300	250 / 350	300 / 400	350 / 450
O	cm	150	175	187	200	225	125	150	200	200
P Arc length	cm	135	156	170	185	206	106	130	156	180
Q	cm	20	15	15	20	20	20	20	15	20
R	cm	125	150	162	175	200	100	125	150	175
Weight without packaging MayTex-Acryl without valance	kg	25	27	28.5	30	33	25	27	30	33
Support pole diameter	mm	outer Ø 76, pole thickness 3					outer Ø 76, pole thickness 3			
Installation base length/width/min. depth	cm	50/50/60			60/60/60		50/50/60			
Minimum-ballast Number of layers of concrete slabs XZ50 required		1 x = approx. 112 kg			2 x = approx. 224 kg		1 x = approx. 112 kg			

The heights specified are for parasols with an anchor tube (RZ118, RZ121). The increase in height for parasols with other installation bases can be seen in the list below:

- Full frame pedestal: RZ111 + 9 cm
- Full frame pedestal: RZ112 + 12 cm
- Full frame pedestal: RZ114 + 16 cm
- Full frame pedestal: RZ116 + 19 cm
- Anchor plate: RZ123 + 5 cm

	m	Ø 3.0	Ø 3.5	Ø 4.0	Ø 4.5	2.5 x 2.5	3.0 x 3.0	3.25 x 3.25	3.5 x 3.5	4.0 x 4.0	2.0 x 3.0	3.5 x 3.5	3.0 x 4.0	3.5 x 4.5
K	cm	144	131	112	100	120	97	80	61	40	110	80	57	25
L	cm	234	234	234	234	224	224	224	224	224	224	224	224	224
M	cm	260	260	260	260	250	250	250	250	250	250	250	250	250
N without valance	cm	325	330	337	345	315	320	325	330	335	310	315	320	330

Dimensional tolerance approx. ±5%. All measurements are to be understood as approximate.



BORDEAUX INSTALLATION OPTIONS

BORDEAUX- mobile installation options

Full frame pedestal without slabs

frame size 103 x 103 cm, total height 29 cm, height of frame x = 5 cm, weight approx. 27 kg, galvanized. For 2 sets of standard concrete slabs 50 x 50 x 5 cm.

art. no. **RZ111**



Full frame pedestal without slabs

with 8 rubber diagonal support levelling screws, frame size 103 x 103 cm, total height min. 32 cm, max. 36 cm, weight approx. 28 kg, galvanized. For 2 sets of standard concrete slabs 50 x 50 x 5 cm.

art. no. **RZ112**



Full frame pedestal on wheels

with rubber heavy-duty rollers and fixing brakes, frame size 103 x 103 cm, total height 36 cm, diameter of rollers 5 cm, weight approx. 28 kg, galvanized. For 2 sets of standard concrete slabs 50 x 50 x 5 cm.

Attention: wind sensitive!

art. no. **RZ114**



Heavy-duty wheels Ø 15 cm

wheel diameter 15 cm, for uneven surfaces. Rubber, with fixing brakes, loading capacity 110 kg/wheel. Suitable for RZ414.

For orders with full frame pedestal

art. no. **351498**

For retrofitting

art. no. **351499**

BORDEAUX Accessories and Bases

Protective sleeve, version zipper and aluminium rod

with zipper, grey tarp material. Please specify parasol size and valance option. Included in delivery of parasol.

Covering made of PVC

approx. 480 g/m², only suitable for Ø 3 m, 2.85 x 2.85 m and 3 x 3 m.



Full frame pedestal on feet

for forklift or lift truck transport, frame size 103 x 103 cm, foot height y = 10 cm, galvanized, weight approx. 30 kg. For 2 sets of standard concrete slabs 50 x 50 x 5 cm.

art. no. **RZ116**



BORDEAUX - stationary installation options

Anchor tube to be embedded in concrete

2 pieces, screw-off upper part, for single and double-shade RIALTO, galvanized, weight approx. 9 kg, incl. top plate for winter protection. a = 22 cm, b = 29 cm, x = Ø 17 cm, y = 16 cm

art. no. **RZ118**

